

Section A

Answer all questions in this section.

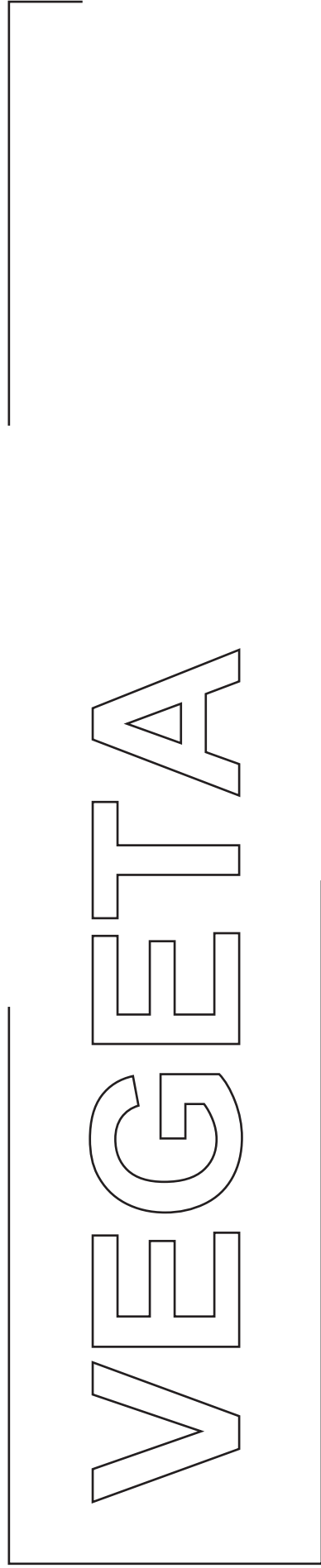
A1 A supermarket uses card signage to direct customers.

Complete the sign board for VEGETABLES by:

(a) adding the four remaining letters. All the letters must be the same height and style as those given; [6]

(b) completing the 250 × 50 rectangular border; [1]

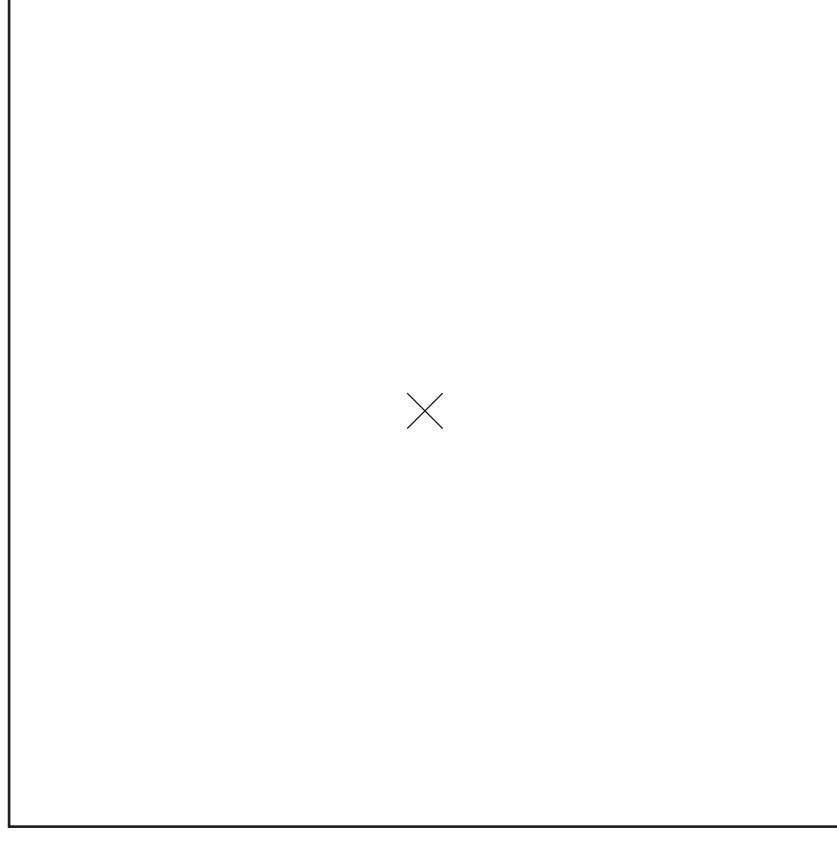
(c) adding an equilateral triangle to the right-hand end of the rectangle. [2]



The supermarket uses three different shaped stickers to promote its price reductions.

Draw in the spaces provided the following sticker shapes:

- a regular pentagon within a Ø80 circle; [2]
- a regular hexagon with a side of 50; [2]
- a regular octagon within a 110 square. [2]



PENTAGON

HEXAGON

OCTAGON

0445/02 Oct/Nov 2008 **1 hour**
© UCLES 2008

Centre Number

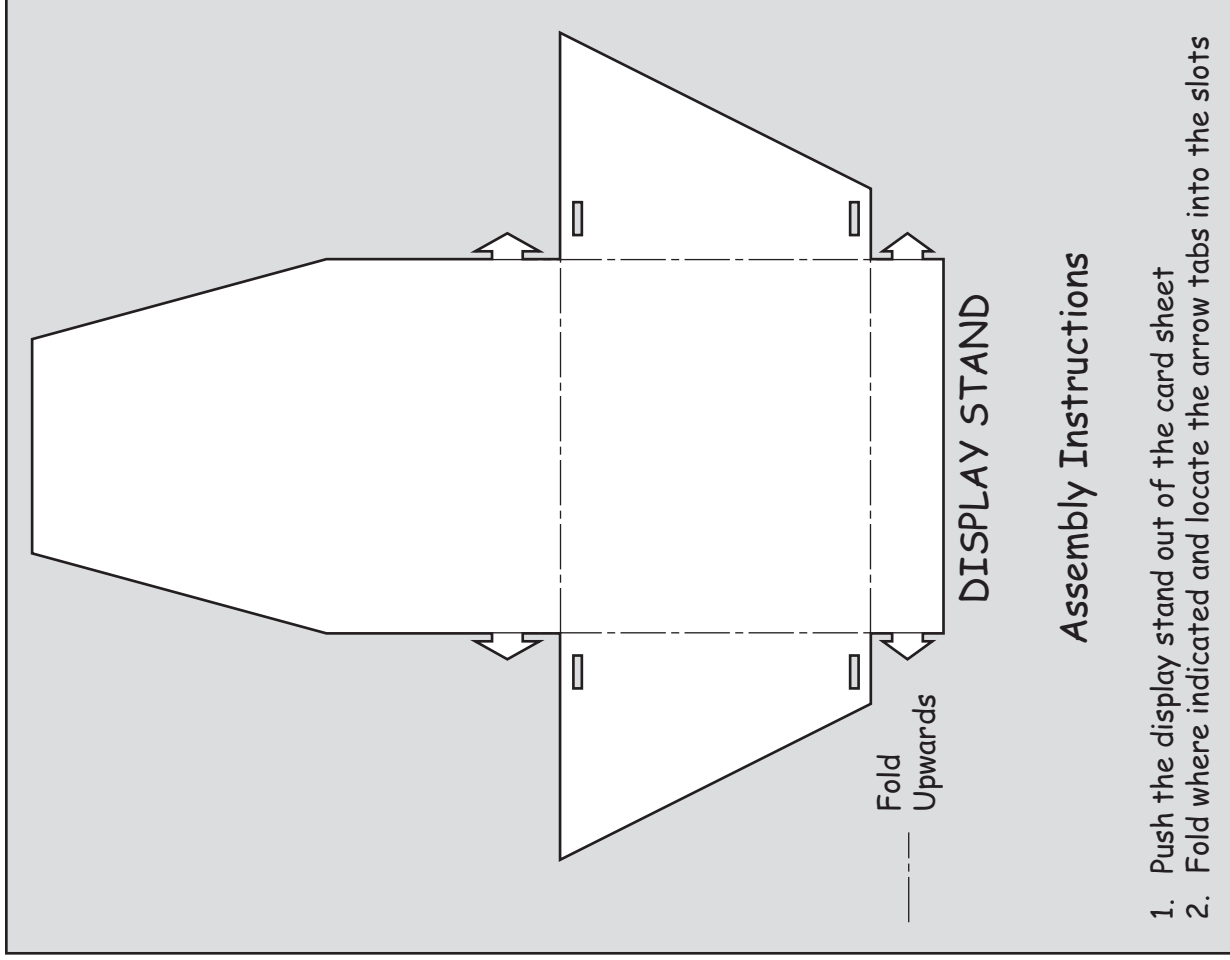
Candidate's Number

Candidate's Surname Other Names [Turn over]

For
Examiner's
use

A3 The flat development (net) of a point of sale display stand is shown below.

It is sent to the supermarket die stamped, to be pushed out of a card sheet.



SCALE 1:2

Draw in the space provided opposite, a full size pictorial view of the assembled point of sale display stand. [10]

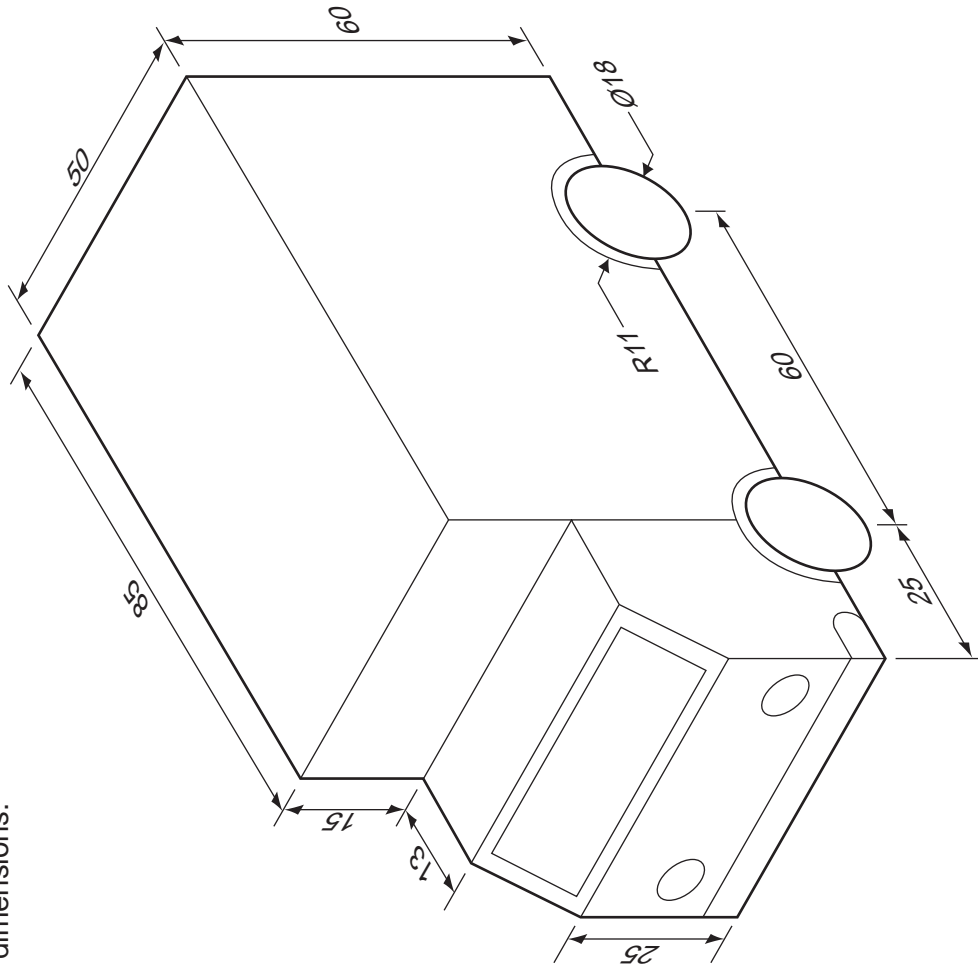
Estimate all dimensions from the half full-size development (net) above.

PICTORIAL VIEW OF ASSEMBLED STAND

Section B
Answer either question B4 or B5.

B4 The supermarket is to give to its younger customers, a press-out and make card model of one of its delivery vans.

The drawing below shows the assembled card model van and its dimensions.



PICTORIAL VIEW OF ASSEMBLED CARD MODEL VAN

(a) Draw a full size, one piece development (net) of the card model van shown above in the space provided to the right. [16]

(b) Add to your development (net) drawing:

- (i) the windscreen; [2]
- (ii) two headlamps; [2]
- (iii) the front bumper; [3]
- (iv) sufficient glue tabs. [2]

Estimate any missing dimensions.

0445/02 Oct/Nov 2008 **1 hour**
© UCLES 2008

Full size development (net) of card model van

Centre Number

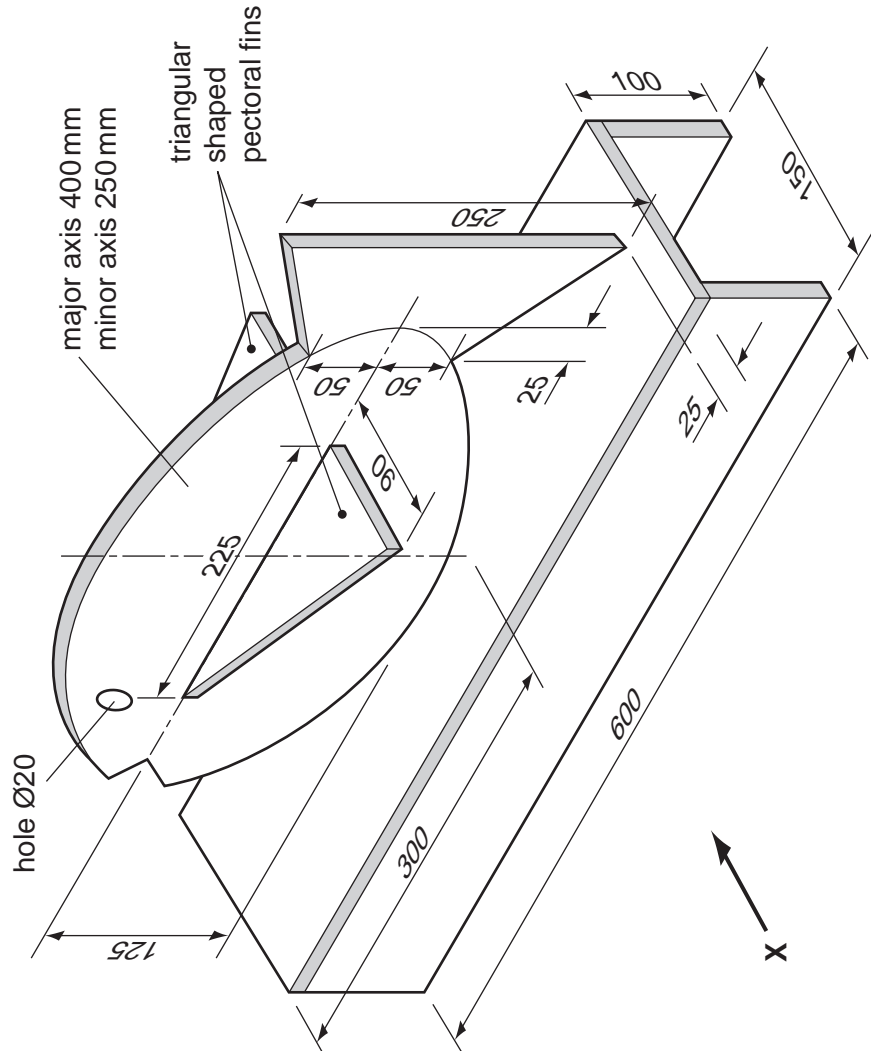
Candidate's Number

Candidate's Surname Other Names [Turn over]

B5 A counter-top display unit, used by the supermarket at its fish counter, is shown below.

The display unit is made from 10 mm thick foamboard.

PICTORIAL VIEW OF COUNTER TOP DISPLAY UNIT



(a) Draw to the scale of 1:5 in the space to the right, the following orthographic views:

- (i) a front view in the direction of arrow X; [12]
- (ii) a plan view. [8]

Estimate any missing dimensions.

(b) Draw, in the box provided, the correct symbol for the projection you have used. [2]

(c) Use sketches and notes to show a design for assembling the pectoral fins to the body of the fish. [3]

Orthographic Projection symbol

ORTHOGRAPHIC VIEWS OF COUNTER TOP
DISPLAY UNIT

SCALE 1:5